

COMPRESSION SYSTEM

MULTILAYER PIPE
+
COMPRESSION ACCESSORIES



CERTIFIED BY AENOR FOR

SCOPE

CLASS 1: Hot water 60° C.

CLASS 2: Hot Water 70° C.

CLASS 4: Underfloor heating / cooling and radiators at low temperature.

CLASS 5: Heating by radiators at high temperature.

DESIGN PRESSURE 1/10; 2/10; 4; 10; 5/10

OUR MULTILAYER PIPES



CHARACTERISTICS:

Today, technological research has definitively solved the uncertainty about the choice of metal tubes or thermoplastic materials for the installation of plumbing or heating systems with the creation of a tube capable of uniting the advantages of both materials. The result has been multi-layer ISOLTUBEX tubes.



The Multilayer Tube has been the result of a modern construction technique that has allowed the perfect union of an aluminum tube with two polyethylene tubes; such a solution decisively reduces the problems of purely metallic tubes (rigidity, toxicity, corrosion, incrustations, weight, noise transmission, pressure drops, galvanic currents, etc.), or exclusively plastic tubes (winter fragility, high expansion thermal, impermeability to oxygen and ultraviolet rays, thermal memory, little or no malleability, etc.). Our multilayer pipes achieve the advantages of the two materials, united by mutual collaboration.

Our tubes are manufactured in accordance with the UNE EN ISO-21003 standard and as measures in accordance with ISO-161.

CURVATURE

To bend the tubes we will use:

- Spring bend tubes
- Manual bending

You have to take into account the radii of the curvature to avoid Strangulation of the pipe.

Diameter DN (mm)	Radius bend(mm)		
	With manual	With spring	Curved
16	80	64	48
20	100	80	60
25	130	100	80
32	200	160	150



The minimum bending radius specified in the table must always be respected in order to avoid pipe throttling

COMPRESSION ACCESSORIES FOR MULTILAYER PIPES



CHARACTERISTICS:

The ISOLTUBEX compression fittings have been designed up to Ø40, developed with the aim of obtaining the maximum performance of resistance and safety in the hydraulic or heating installations. The operation of joining **ISOLTUBEX** compression fittings with an **ISOLTUBEX** multilayer pipe is very simple and does not need heavy machines, the connection is made with two fine or English keys.

Our accessories are made with high quality brass; CW617N, according to **UNE-EN-12165 standard**.

The range of our **COMPRESSION** accessories is very complete (Ø16 to Ø40).

The **ISOLTUBEX** **COMPRESSION** accessories are designed to build together with our pipes the Compression System Certified by AENOR in accordance with the **UNE EN ISO-21003 standard**.

The **COMPRESSION** accessories, are easily identifiable, our logo or our **ISOLTUBEX** brand is indelibly marked, both in the body of the accessory, as in the stainless steel caps.



ADVANTAGE

1. Accessory of high quality brass, CW617N manufactured with calibrated bar for straight figures (union, reduction, etc.) or hot forging process for other figures (elbows, tees, etc.), ensuring a compact structure.
2. Very easy to install.
3. Perfect sealing, ensuring a long service life.
4. Double O-ring, providing greater security.
5. Anti-electrolysis ring of maximum efficiency.
6. Attractive appearance exterior design.
7. Valid for cold water installations, A.C.S. and heating systems.



ASSEMBLY INSTRUCTIONS FOR COMPRESSION SYSTEM

Before starting the assembly check that the tubes are not broken, bent, damaged or apparently not suitable for installation. It is also necessary to check that the accessories to be used appear without any dirt residues in any of their components or present any anomaly or deterioration that prevents their correct use.

VERY IMPORTANT: THE USE OF DETERIORATED TUBES AND / OR ACCESSORIES, IN BAD CONDITION OR IN CONDITIONS OF CONSERVATION OR MAINTENANCE NOT SUITABLE FOR INSTALLATION, EXCLUDES THE WARRANTY.

(see warranty page and general conditions)



All assembly processes on our YouTube channel



Cut the tube perpendicular to its length, using a tool that guarantees a clean and precise cut.



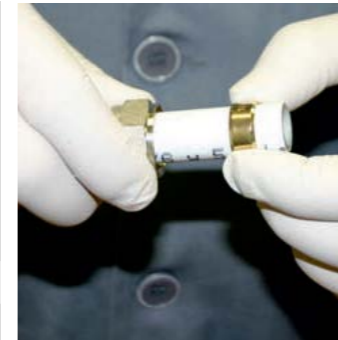
It is mandatory to insert the calibrator / reamer ref. AE inside the tube, turning until filing the inside and outside edge of it. Such operation is essential to facilitate the insertion of the fitting into the tube and prevent the o-rings from being damaged, or displaced from their housing.



Lubricate the part of the accessory that is inserted.
Lubricant ref. L-400



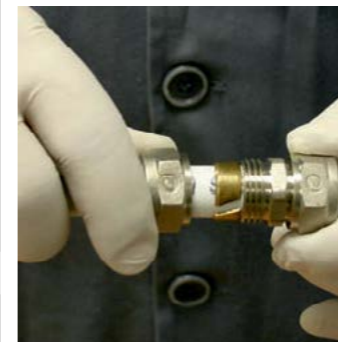
Place the accessory nut on the tube.



Place the accessory retaining ring on the tube.



Insert the accessory inside the tube.



Place the retaining ring in place and screw the nut to the accessory body.



Tighten the accessory nut as much as possible with a fixed or English key.



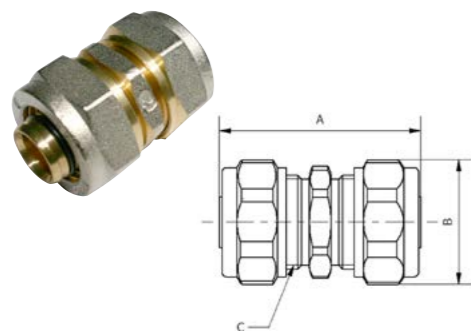


THESE ACCESSORIES, JOINED TO OUR MULTILAYER PIPES, CONFORM THE SYSTEM COMPRESSION, CERTIFIED AND ISSUED BY AENOR IN ACCORDANCE WITH NORMA UNE EN ISO 21003.

COMPRESSION ACCESSORIES

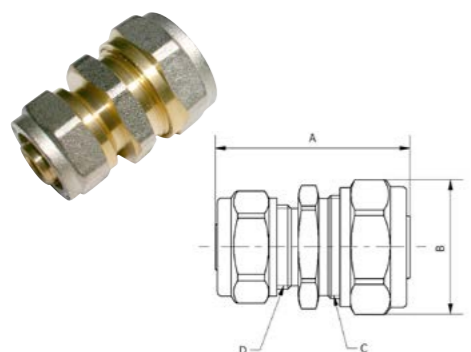
For 16x2, 18x2, 20x2, 25x2.5, 32x3, 40x4, 50x4.5, 63x6 tubes

UNION



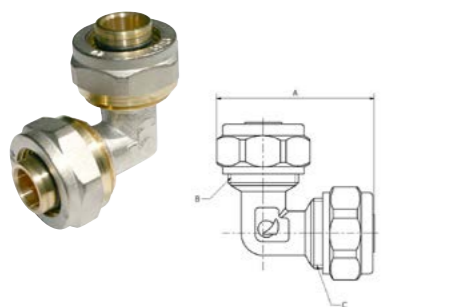
Reference	Measure	A	B	C	Weight		
UCO16	16	45,00	27,00	G1/2	98	30	240
UCO18	18	47,00	33,00	M23 x 1,5	151	20	160
UCO20	20	49,80	32,90	G3/4	144	18	144
UCO25	25	55,00	40,00	G1	276	11	88
UCO32	32	56,50	45,00	M39 x 1,5	384	7	56
UCO40	40	68,00	54,00	M42 x 2	591	8	64
	∅	mm	mm	mm	g	units.	units.

REDUCER



Reference	Measure	A	B	C	D	Weight		
RCO2016	20 - 16	47,70	32,90	G3/4	G1/2	136	20	160
RCO2018	20 - 18	48,30	32,90	G3/4	M23 X 1,5	155	18	144
RCO2520	25 - 20	52,90	39,80	G3/4	G1	207	12	96
RCO3225	32 - 25	55,24	45,00	G1	M39 X 1,5	350	6	48
	∅	mm	mm	mm	mm	g	units.	units.

ELBOW



Reference	Measure	A	B - C	Weight		
CCO16	16	46,27	G1/2	102	25	200
CCO18	18	50,10	M23 X 1,5	134	20	160
CCO20	20	51,55	G3/4	157	15	120
CCO25	25	63,10	G1	257	10	80
CCO32	32	73,40	M39 x 1,5	415	6	48
CCO40	40	84,45	M42 x 2	552	3	24
	∅	mm	mm	g	units.	units.

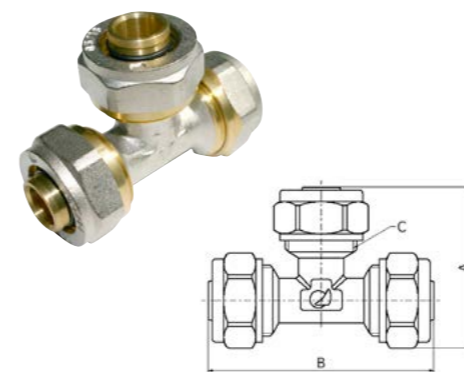


THESE ACCESSORIES, JOINED TO OUR MULTILAYER PIPES, CONFORM THE SYSTEM COMPRESSION, CERTIFIED AND ISSUED BY AENOR IN ACCORDANCE WITH NORMA UNE EN ISO 21003.

COMPRESSION ACCESSORIES

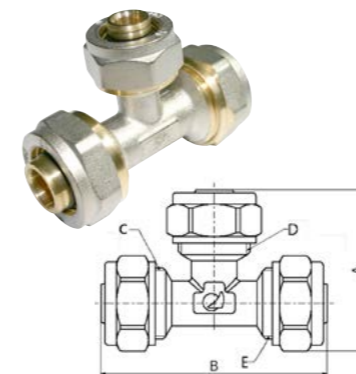
For 16x2, 18x2, 20x2, 25x2.5, 32x3, 40x4, 50x4.5, 63x6 tubes

TEE



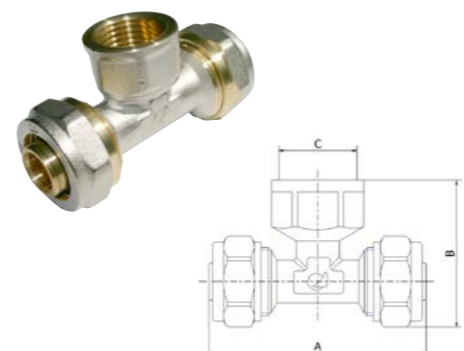
Reference	Measure	A	B	C	Weight		
TCO16	16	46,00	65,20	G1/2	152	16	128
TCO18	18	52,00	74,00	M23x1,5	216	14	112
TCO20	20	51,50	70,00	G3/2	210	11	88
TCO25	25	63,40	86,40	G1	378	7	56
TCO32	32	70,00	94,00	M39 x 1,5	537	5	40
TCO40	40	85,00	116,00	M47 x 2	974	2	16
	∅	mm	mm	mm	g	units.	units.

REDUCER TEE



Reference	Measure	A	B	C	D	E	Weight		
TRCO162016	16 - 20 - 16	47,30	65,20	G1/2	G3/4	G1/2	196	15	120
TRCO201620	20 - 16 - 20	50,55	70,20	G3/4	G1/2	G3/4	191	12	96
TRCO202016	20 - 20 - 16	48,77	68,24	G3/4	G3/4	G1/2	192	11	88
TRCO251625	25 - 16 - 25	55,75	86,40	G1	G1/2	G1	327	8	64
TRCO252020	25 - 20 - 20	56,75	83,77	G1	G3/4	G3/4	330	8	64
TRCO252025	25 - 20 - 25	56,75	86,40	G1	G3/4	G1	360	8	64
TRCO321632	32 - 16 - 32	62,66	81,67	M39 x 1,5	G1/2	M39 x 1,5	432	6	48
TRCO322032	32 - 20 - 32	63,66	88,67	M39 x 1,5	G3/4	M39 x 1,5	458	6	48
TRCO322532	32 - 25 - 32	70,00	100,00	M39 x 1,5	G1	M39 x 1,5	498	5	40
	∅	mm	mm	mm	mm	mm	g	units.	unt.

FEMALE TEE



Reference	Measure	A	B	C	Weight		
THCO1612	16 - 1/2"	65,20	44,30	G1/2	140	18	144
THCO1812	18 - 1/2"	67,30	45,90	G1/2	184	14	112
THCO2012	20 - 1/2"	70,20	47,70	G1/2	196	12	96
THCO2034	20 - 3/4"	80,20	50,20	G3/4	207	9	72
THCO2534	25 - 3/4"	86,40	58,70	G3/4	325	9	72
THCO321	32 - 1"	101,67	67,87	G1	497	5	40
	∅	mm	mm	mm	g	units.	unt.



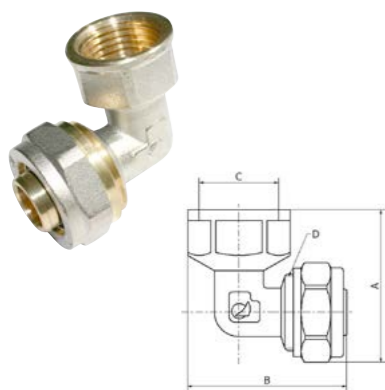


THESE ACCESSORIES, JOINED TO OUR MULTILAYER PIPES, CONFORM THE SYSTEM COMPRESSION, CERTIFIED AND ISSUED BY AENOR IN ACCORDANCE WITH NORMA UNE EN ISO 21003.

COMPRESSION ACCESSORIES

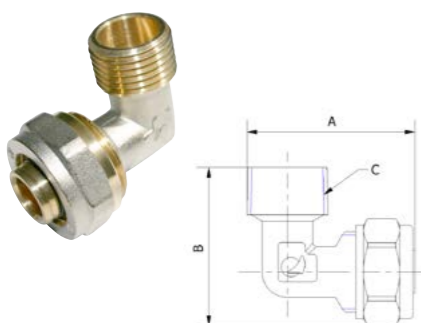
For 16x2, 18x2, 20x2, 25x2.5, 32x3, 40x4, 50x4.5, 63x6 tubes

FEMALE ELBOW



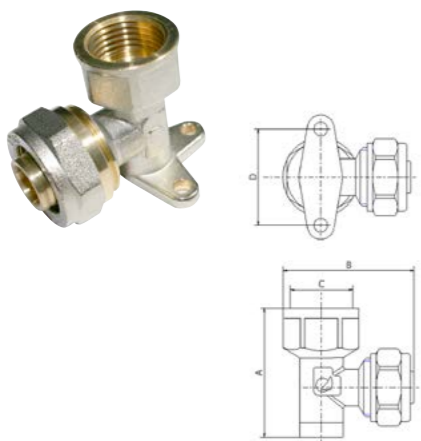
Reference	Measure	A	B	C	D	Weight		
CHCO1612	16 - 1/2"	42,30	46,60	G1/2	G1/2	86	25	200
CHCO1634	16 - 3/4"	44,80	49,30	G3/4	G1/2	104	25	200
CHCO1812	18 - 1/2"	45,90	47,60	G1/2	M23 x 1,5	115	25	200
CHCO2012	20 - 1/2"	45,90	49,10	G1/2	G3/4	111	18	144
CHCO2034	20 - 3/4"	50,20	51,80	G3/4	G3/4	127	18	144
CHCO2534	25 - 3/4"	56,90	59,90	G3/4	G1	198	15	120
CHCO251	25 - 1"	61,20	63,80	G1	G1	234	12	96
CHCO321	32 - 1"	63,30	70,80	G1	M39 x 1,5	285	10	80
	∅	mm	mm	mm	mm	g	units.	units.

MALE ELBOW



Reference	Measure	A	B	C	Weight		
CMCO1612	16 - 1/2"	42,70	40,20	G1/2	69	25	200
CMCO2012	20 - 1/2"	48,00	47,00	G1/2	111	18	144
CMCO2534	25 - 3/4"	55,70	51,70	G3/4	181	15	120
	∅	mm	mm	mm	g	units.	units.

WALL PLATED FEMALE ELBOW



Reference	Measure	A	B	C	D	Weight		
CSHCO1612	16 - 1/2"	45,45	48,08	G1/2	34,00	118	18	144
CSHCO2012	20 - 1/2"	46,00	50,00	G1/2	34,00	139	12	96
	∅	mm	mm	mm	mm	g	unt.	unt.

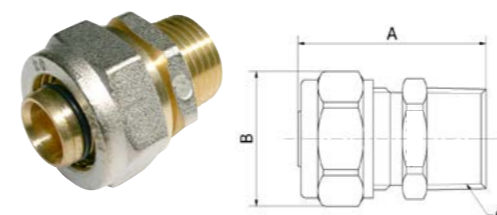


THESE ACCESSORIES, JOINED TO OUR MULTILAYER PIPES, CONFORM THE SYSTEM COMPRESSION, CERTIFIED AND ISSUED BY AENOR IN ACCORDANCE WITH NORMA UNE EN ISO 21003.

COMPRESSION ACCESSORIES

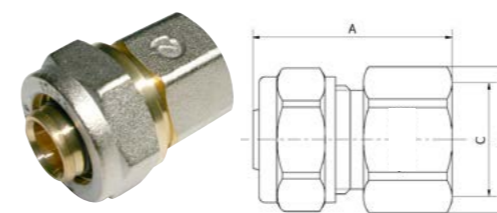
For 16x2, 18x2, 20x2, 25x2.5, 32x3, 40x4, 50x4.5, 63x6 tubes

MALE UNION



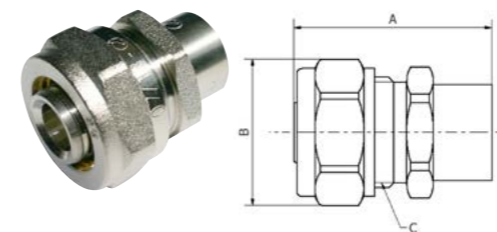
Reference	Measure	A	B	C	Weight		
EMCO1612	16 - 1/2"	38,10	27,35	G1/2	61	45	360
EMCO1634	16 - 3/4"	37,30	27,35	G3/4	78	35	280
EMCO1812	18 - 1/2"	37,90	32,90	G1/2	99	30	240
EMCO2012	20 - 1/2"	39,40	32,90	G1/2	95	30	240
EMCO2034	20 - 3/4"	39,40	32,90	G3/4	96	25	200
EMCO2534	25 - 3/4"	42,54	39,80	G3/4	167	18	144
EMCO251	25 - 1"	45,90	39,80	G1	165	16	128
EMCO3234	32 - 3/4"	44,35	45,10	G3/4	274	8	64
EMCO321	32 - 1"	47,80	45,10	G1	280	8	64
EMCO40114	40 - 1" 1/4"	54,00	53,90	G1-1/4"	378	5	40
	∅	mm	mm	mm	g	units.	units.

FEMALE UNION



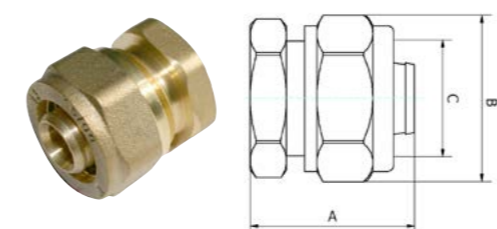
Reference	Measure	A	B	C	Weight		
EHCO1612	16 - 1/2"	38,00	27,85	G1/2	66	40	320
EHCO1634	16 - 3/4"	38,10	33,40	G3/4	81	25	200
EHCO1812	18 - 1/2"	37,90	27,80	G1/2	90	25	200
EHCO2012	20 - 1/2"	39,40	32,90	G1/2	97	25	200
EHCO2034	20 - 3/4"	39,40	33,40	G3/4	96	25	200
EHCO2534	25 - 3/4"	41,50	39,80	G3/4	175	15	120
EHCO251	25 - 1"	42,50	41,20	G1	129	15	120
EHCO3234	32 - 3/4"	45,10	45,10	G3/4	280	14	112
EHCO321	32 - 1"	44,40	45,10	G1	231	10	80
EHCO40114	40 - 1" 1/4"	51,50	53,00	G1-1/4"	338	6	48
	∅	mm	mm	mm	g	units.	units.

ADAPTER CU - PEX / PERT / MC



Reference	Measure	A	B	C	Weight		
ADC15CO16	CU15 - CO16	37,10	27,35	G1/2	85	35	280
ADC15CO20	CU15 - CO20	37,45	32,50	G3/4	91	30	240
ADC18CO16	CU18 - CO16	39,50	27,00	G1/2	71	30	240
ADC18CO20	CU18 - CO20	39,50	32,90	G3/4	84	25	200
ADC22CO20	CU22 - CO20	42,70	32,50	G3/4	96	25	200
	∅	mm	mm	mm	g	units.	units.

RECOVERABLE CAP



Reference	Measure	A	B	C	Weight		
TAP16R	16	27,00	25,00	G3/4	65	48	384
	∅	mm	mm	mm	g	units.	units.

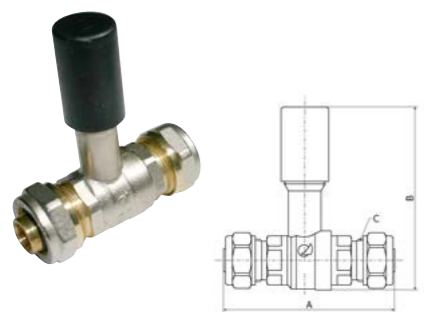


VALVES AND HANDLES FOR VALVES

COMPRESSION ACCESSORIES

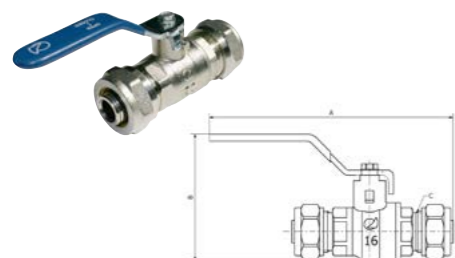
For 16x2, 18x2, 20x2, 25x2.5, 32x3, 40x4, 50x4.5, 63x6 tubes

BALL VALVE



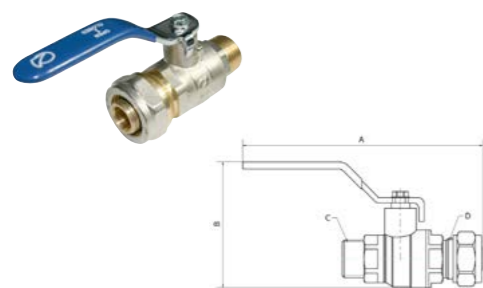
Reference	Measure	A	B	C	Weight		
VALCO16	16	81,00	90,00	G1/2	290	5	40
VALCO20	20	85,00	90,00	G3/4	346	5	40
VALCO25	25	98,00	92,50	G1	514	5	40
VALCO32	32	100,00	97,00	M39 x 1,5	616	5	40
	∅	mm	mm	mm	g	unt.	unt.

LINE BALL VALVE



Reference	Measure	A	B	C	Weight		
VALLINCO16	16	122,00	63,00	G1/2	260	5	40
VALLINCO20	20	126,00	62,00	G3/4	338	5	40
VALLINCO25	25	147,50	76,00	G1	475	5	40
VALLINCO32	32	150,50	81,00	M39 x 1,5	596	5	40
	∅	mm	mm	mm	g	unt.	unt.

LINE BALL VALVE WITH MALE THREAD



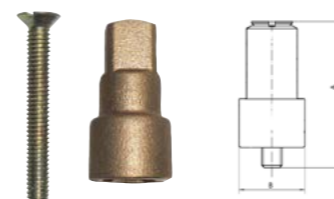
Reference	Measure	A	B	C	D	Weight		
VAL -LINCO16M12	16M12	116,50	60,00	G1/2	G1/2	217	5	40
VAL -LINCO20M12	20M12	117,00	62,00	G1/2	G3/4	245	5	40
VAL -LINCO25M34	25M34	138,00	75,00	G3/4	G1	392	5	40
VAL -LINCO32M1	32M1	146,00	80,00	G1	M39x1,5	508	5	40
	∅	mm	mm	mm	mm	g	uns.	uns.

VALVES AND HANDLES FOR VALVES

COMPRESSION ACCESSORIES

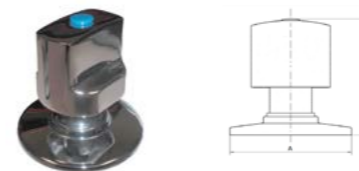
For 16x2, 18x2, 20x2, 25x2.5, 32x3, 40x4, 50x4.5, 63x6 tubes

EXTENSION



Reference	Measure	A	B	Weight		
ALAR	20	30,00	13,00	18	125	1000
	mm	mm	mm	g	units.	units.

ROUND HANDLE AND SHIELD FOR VALVES Ref. VAL / VR / VALU



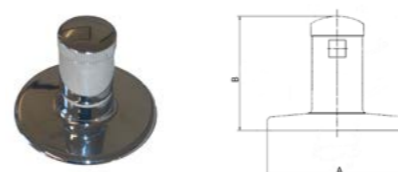
Reference	A	B	Weight		
MR	70,00	68,00	122	5	150
	mm	mm	g	units.	units.

LEVER HANDLE AND SHIELD FOR VALVES Ref. VAL / VR / VALU



Reference	A	B	C	Weight		
MP	70,00	57,00	62,00	126	5	150
	mm	mm	mm	g	units.	units.

OCCULT HANDLE AND SHIELD FOR VALVES Ref. VAL / VR / VALU



Reference	A	B	Weight		
MO	69,00	52,50	98	5	150
	mm	mm	g	units.	units.

